

VPO10

PROFIBUS-PA TO ANALOG AND DISCRETE OUTPUT CONVERTER

PROFI[®]
BUS



- ✓ 2-wire Converter with Profibus-PA Communication Protocol
- ✓ 5-Digit Rotary LCD Display with Bargraph
- ✓ Output: 3 current channels of 4-20 mA or 3 open collector discrete outputs (max 400 mA, 24 Vdc)
- ✓ Power supply with no polarity from 9 to 32 Vdc
- ✓ Operating Temperature -40 to 85 °C
- ✓ Local Adjustment via Magnetic Tool
- ✓ Configuration, Calibration, Monitoring and Diagnostics via Configurator and tools based on EDDL and FDT / DTM

DESCRIPTION

VPO10 is part of Profibus-PA Vivace Process Instruments family of converters, designed for field installation, directly on a 2" tube holder. It has three output channels, where the user can choose the actuation in current (4-20 mA) or discrete output with open collector (maximum current 400mA, 24 Vdc).

VPO10 is a converter that provides the easy connection of end elements such as control valve positioners and other final control elements to the Profibus systems. VPO10 generates, in proportion to the Profibus-PA setpoint signals, 4-20 mA outputs, via analog output function blocks (AO), or allows actuations via open collector to the loads.

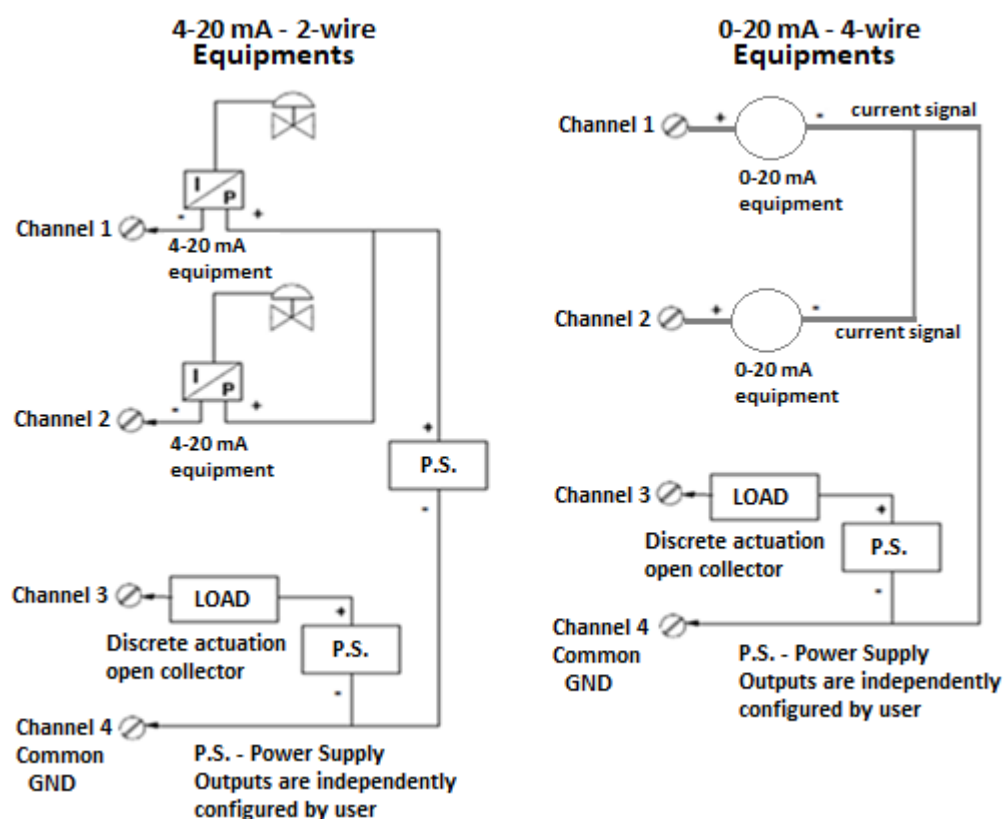
The converter is powered from 9 to 32 Vdc via bus and uses the Profibus-PA communication protocol for configuration, calibration, monitoring and diagnostics.

It provides cost reduction of installation and design through the availability of three independent channels of current / open collector per converter

Through a Profibus-PA configurator, Android platform or tools based on EDDL or FDT / DTM is possible to configure the inverter, measuring scales, work units, calibration etc., as well as monitor the measurement variables and check the converter status. In addition, it is possible to configure the VPO10 via local adjustment using a magnetic key.

Prioritizing its high performance and robustness, the VPO10 was designed with the latest electronics and material technologies, ensuring long-term reliability for systems of any scale.

CONNECTION EXAMPLE



TECHNICAL AND PHYSICAL SPECIFICATIONS

Accuracy	± 0.1%
Power Supply / Quiescent Current	9 to 32 Vdc, with no polarity / 12 mA
Communication Protocol / Function Blocks	Profibus PA, according to IEC 61158-2 (H1), voltage mode 31.25 Kbits/s with bus power supply / 3 Analog Output Blocks (AO)
Certification in Hazardous Area	Explosion-proof and Intrinsically Safe
Ambient Temperature Limits	- 40 to 85 ° C
Configuration	Remote configuration through tools based on EDDL, FDT / DTM, as well as Android platform. Local configuration via magnetic tool.
Mounting	In field, with 2" mounting bracket
Protection degree	IP67
Output Load Limit	Outputs configured independently by the user: Signals 4-20mA: External Output Voltage 3-45 Vdc. Load (discrete drive): max. 400 mA, 24 Vdc
Housing Material	Aluminum
Approximate Weight with Bracket	1.2 Kg

ORDERING CODE

VPO10 *Profibus PA to Analog Output Converter*

Certification Type	0	NO CERTIFICATION
	1	INTRINSICALLY SAFE
	2	EXPLOSION PROOF
Certification Body	0	NO CERTIFICATION
	1	INMETRO
Housing Material	A	ALUMINUM
Electrical Connection	1	½ – 14 NPT
Painting	1	BLUE – RAL 5005
Mounting Bracket	0	NO BRACKET
	1	SS 304 BRACKET

Ordering Code Example:

VPO10 - 0 0 A 1 1 0

*Explosion Proof Certification Ex tb (dust ignition) and Ex db (flame)